

KOBELCO

SK28SR-6E/SK30SR-6E/SK35SR-6E

SK28SR SK30SR SK35SR



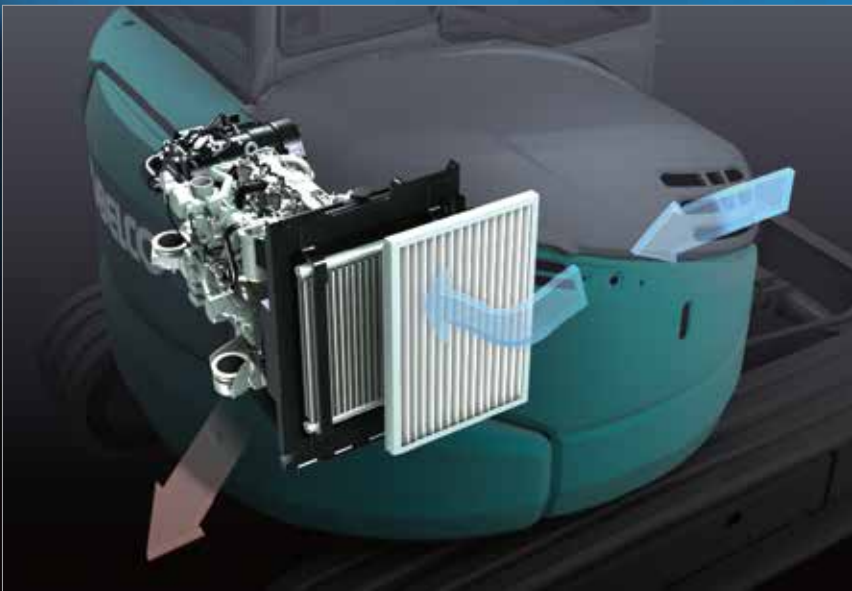
Complies with the EU Stage V
exhaust emission regulation

We Save You Fuel
Achieving a Low-Carbon Society

Full-Size Performance, Short-Radius Agility and Quiet Operation

COMPACT YET TOUGH MINI

The new KOBELCO SK28SR, SK30SR and SK35SR expand the horizons of mini excavators, and offer practical performance features while maintaining a short tail swing. The new Energy Conservation Mode saves even more fuel, and Kobelco's proprietary iNDr Cooling System ensures quiet operation, protection from dust, and easy maintenance. For greater operator comfort and safety, the spacious cab design offers plenty of room and an unobstructed view. It all adds up to enhanced full-size performance, short-radius agility and a low-noise environment, with exceptional performance features and a full range of value-added functions.





iNDr Cooling System

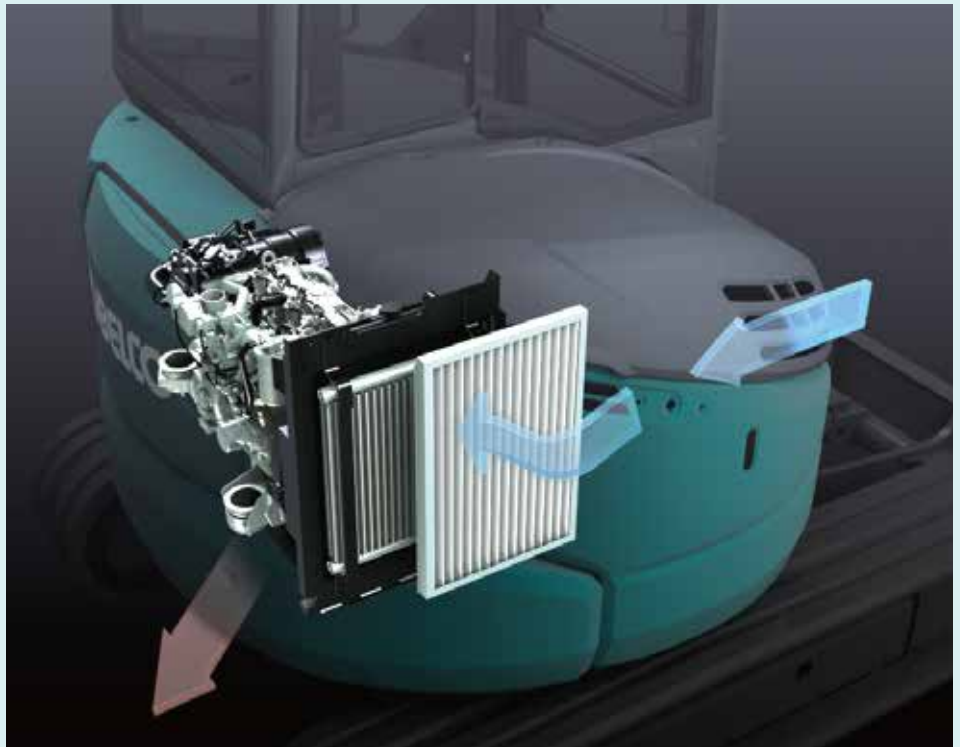


The highly airtight engine compartment and the offset duct contribute to noise reduction. The iNDr filter fitted in front of the cooling system ensures easy cleaning. The iNDr system on the SR Series mini excavators features air intake at the front of the machine and air exhaust underneath. It functions in the same way as the iNDr System on the SR series Heavy machines.

Ultimate Low Noise

KOBELCO's exclusive iNDr Cooling System delivers amazingly quiet operation.

Sound Power Level



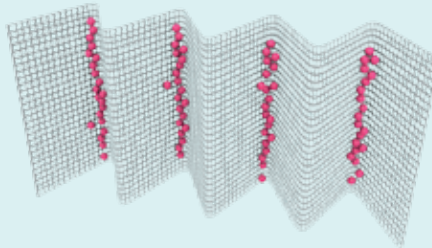
Visual Checking and Easy Cleaning

Because the iNDr filter removes dust from the intake air, cooling components stay dirt-free and do not require regular cleaning. The iNDr filter itself can be easily removed and cleaned without the use of tools.



iNDr Filter

The stainless-steel filter is extremely effective against dust, with 30-mesh wave-type screen that removes tiny dust particles from the intake air.



• 30-mesh means that there are 30 holes formed by horizontal and vertical wires in every square inch of filter.

iNDr Filter Blocks Out Dust

Outside air goes directly from the intake duct through the iNDr filter for dust removal.



PERFORMANCE

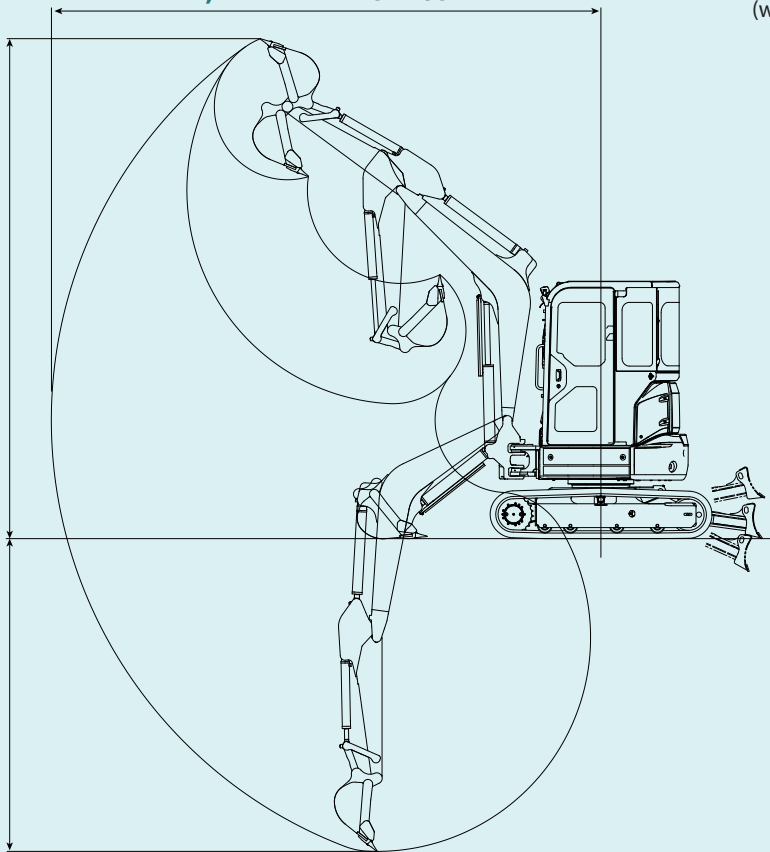
Compact, yet, Big Performance

Wide Working Range

A larger boom and arm are provided as standard equipment to ensure a wider working range.

5,350 mm – SK35SR
5,200 mm – SK30SR
4,840 mm – SK28SR

3,050 (2,970) mm – SK35SR
2,820 (2,800) mm – SK30SR
2,590 mm – SK28SR



Figures in () show the value of canopy.

Short Tail Swing

The compact tail swing improves operating efficiency in limited space.

Tail overhang:
0 mm
(without rear view mirror)



Easy Transportability

With an overall height of 2,510 mm, the machine is designed for easy transport.



Overall height:
2,510 mm

Easy Hydraulic Piping for Quick Hitch (Option)

Piping for quick Hitch is useful for changing attachment.



Comfortable Operating Environment

Opening Right Window

Rear window to the right can be opened to improve ventilation.



Climate Control

The climate control system is located down and to the right of the seat keeping the rear view clear.



Opening/Closing Front Window

The front window features gas damper cylinders for smooth and easy opening and closing.



Coat Hook



Room Light



Two-Speaker FM/AM Radio with Station Select

Bluetooth Installed Radio



Bluetooth installed to allow connections with iPhones and other devices.

12V Power Source

Power for various purposes



USB Port

USB port can be used to play music etc.



Operator Safety

Reliable Cab/Canopy Structure

The high-strength cab/canopy meets ROPS and TOP GUARD LEVEL 1 standards for greater operator safety.



Rear View Mirrors



Bracket for Yellow Rotating Light

Bracket provided at cab rear for optional fitting of a yellow rotating warning light.



Hammer for Emergency Exit



Work Light

Work light is mounted under the boom to protect from damage.



Reliable Construction

The boom, arm and swing bracket all have large cross-section segments for added attachment strength.

Boom cylinder guard



Forged boom top

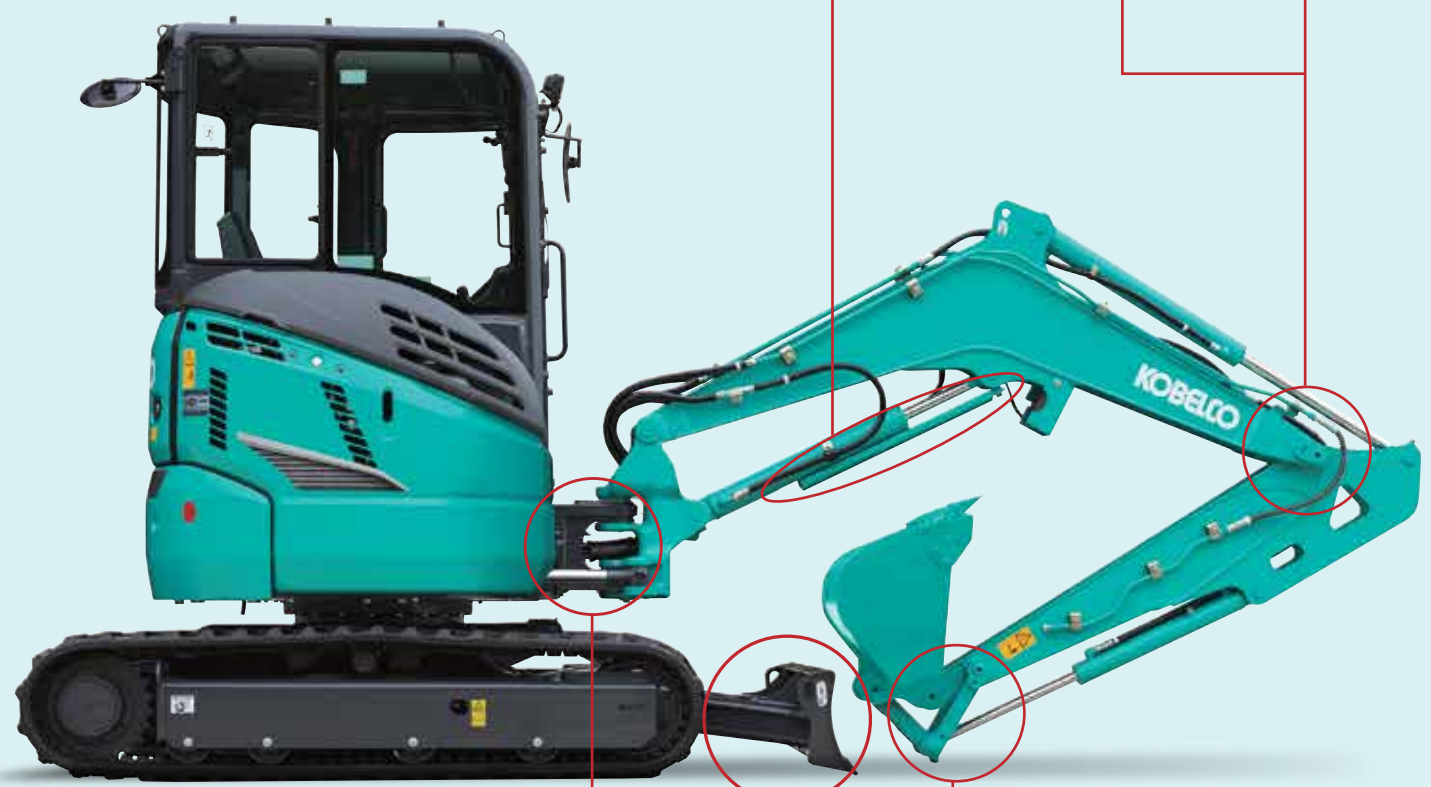


Plate type pin



Bolt-tightened pins

Bolt-tightened pins firmly lock the boom and arm to prevent the boom top from opening laterally.



Swing bracket
Large, thick cast-iron swing bracket/front bracket.



Hydraulic hosing
The hydraulic hosing is housed inside the swing bracket.



Dozer
Box construction dozer supports provide greater strength.



Bucket
Cast-iron idler link provide greater strength.

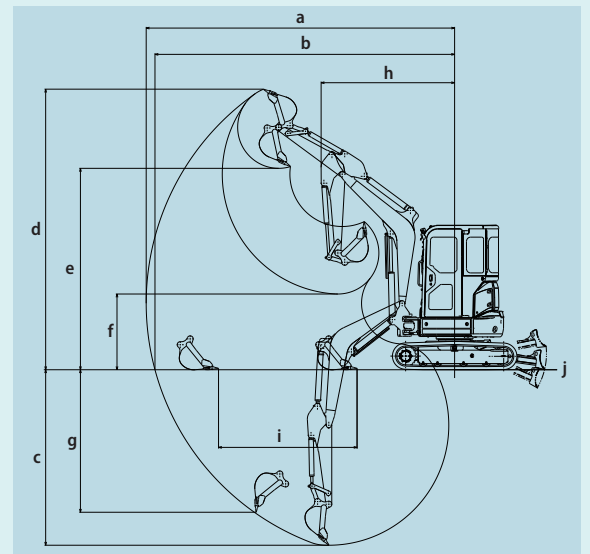
SPECIFICATIONS

MODEL		SK28SR	SK30SR	SK35SR	
Type		SK28SR-6E	SK30SR-6E	SK35SR-6E	
Machine Mass	Cab	kg	2,950	3,380	3,770
	Canopy	kg	2,800	3,220	3,630
Bucket Capacity		m ³	0.08	0.09	0.11
Bucket Width (with side cutter)		mm	500	500	600
Arm Length		mm	1.18	1.32	1.37
Bucket Digging Force		kN	24.7	27.7	27.8
Arm Crowding Force		kN	16.6	19.1	22.4
ENGINE					
Model	YANMAR 3TNV82A-B				
Type	Water cooled, 4-cycle, 3-cylinder, direct injection, diesel engine				
Power Output	(ISO 9249)	kW/min ⁻¹	17.1/2,400		
	(ISO 14396)	kW/min ⁻¹	17.8/2,400		
Max.Torque	(ISO 9249)	N-m/min ⁻¹	77.7/1,440		
	(ISO 14396)	N-m/min ⁻¹	79.4/1,440		
Displacement		L	1.331		
Fuel Tank		L	42.0		
HYDRAULIC SYSTEM					
Pump	Two variable displacement pumps + One gear pump				
Max. Discharge Flow		L/min	2 x 28.8, 1 x 16.1	2 x 38.4, 1 x 19.2	
Relief Valve Setting		MPa	23.0		
Hydraulic Oil Tank (system)		L	20.4 (41.1)	20.4 (44.8)	
TRAVEL SYSTEM					
Travel Motors	2 x axial-piston, two-step motors				
Parking Brake	Oil disc brake per motor				
Travel Speed (high/low)		km/h	3.8/2.1	4.4/2.5	
Gradeability		% (degree)	58 (30)		
Drawbar Pulling Force	Cab	kN	34.8	38.3	38.1
	Canopy	kN	34.9	38.4	38.2
CRAWLER					
Shoe	Rubber				
Shoe Width		mm	300		
Ground Pressure	Cab	kPa	26.3	30.1	33.5
	Canopy	kPa	24.9	28.7	32.2
DOZER BLADE					
Width x Height		mm	1,550 x 345	1,550 x 345	1,700 x 345
SWING SYSTEM					
Swing Motor	Axial piston motor				
Parking Brake	Oil disc brake, hydraulic operated automatically				
Swing Speed		min ⁻¹	8.4		

WORKING RANGES

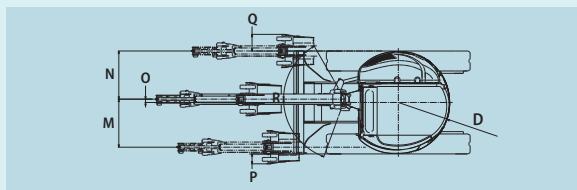
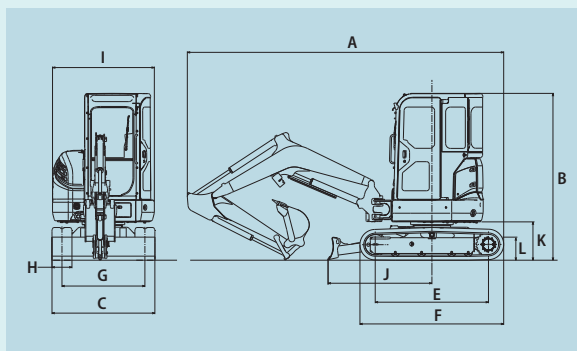
Unit: mm

MODEL	SK28SR	SK30SR	SK35SR		
		Cab	Canopy	Cab	Canopy
Arm length	1.18 m	1.32 m		1.37 m	
a- Max. digging reach	4,840	5,200		5,350	
b- Max. digging reach at ground level	4,680	5,040		5,200	
c- Max. digging depth	2,590	2,820	2,800	3,050	2,970
d- Max. digging height	4,480	4,800	5,050	4,870	5,040
e- Max. dumping clearance	3,090	3,420	3,640	3,490	3,650
f- Min. dumping clearance	1,290	1,300	1,430	1,310	1,400
g- Max. vertical wall digging depth	2,270	2,370		2,470	
h- Min. swing radius at boom swing	2,190	2,300	2,190	2,320	2,150
	1,900	1,910	1,890	1,930	1,880
i- Horizontal digging stroke at ground level	1,910	2,230		2,400	
j- Dozer blade (height/depth)	450/370	470/400		470/400	



GENERAL DIMENSIONS

Unit: mm



MODEL	SK28SR	SK30SR	SK35SR
A Overall length	4,510	4,730	4,820
B Overall height	2,510	2,510	2,510
C Overall width	1,550	1,550	1,700
D Tail swing radius	775	775	850
E Tumbler distance	1,700	1,700	1,700
F Overall length of crawler	2,160	2,160	2,160
G Track gauge	1,250	1,250	1,400
H Shoe width	300	300	300
I Overall width of upperstructure	1,530	1,530	1,530
J Distance from dozer top to center of upperstructure	1,500	1,560	1,560
K Ground clearance of rear end	570	570	570
L Ground clearance	300	300	300

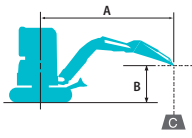
MODEL	SK28SR	SK30SR	SK35SR
M Offset volume (Left)	680	720	720
N Offset volume (Right)	675	725	725
O Offset volume between center of boom and center of machine	50	50	50
P Digging volume at outside of shoe (Left)	100	150	120
Q Digging volume at outside of shoe (Right)	200	250	225
R Boom swing angle (Left/Right)	60°/55°	70°/60°	70°/60°

OPTIONAL EQUIPMENT

• N&B (foot) piping	• Bolt-on Pad shoes (for steel shoe)	• Rear under mirror
• Rotation (PHC*) + N&B (foot) piping	• Add-on counterweight (250 kg) + 90 mm tail swing radius	• Arm & bucket cylinder cover
• Rotation (PHC*) + N&B (PHC*) piping	• Object Handling Kit (Boom & arm holding valve + hook)	• Front guard
• Color Multi display	• Additional work light for canopy	• Top guard
• Long arm (+300 mm)	• Travel alarm	• Quick Hitch piping
• Steel shoe	• Rear view mirror	

*Proportional Hand Controlled

LIFTING CAPACITIES



Rating over front

Rating over side or 360 degrees

A: Reach from swing centerline to arm top
 B: Arm top height above/below ground
 C: Lifting capacities in kilograms
 Bucket: Without bucket Dozer blade: up
 Relief valve setting: 23.0 MPa

SK28SR Cab		Standard Arm		Bucket: without		Standard weight		Shoe: 300 mm	
		1.0 m		2.0 m		3.0 m		4.0 m	
		At Max. Reach		At Max. Reach		At Max. Reach		At Max. Reach	
Radius		Radius		Radius		Radius		Radius	
B									
3.0 m	kg					*620	520	500	390
2.0 m	kg			*1,140	970	640	500	390	310
1.0 m	kg					590	460	380	300
G. L.	kg			1,110	810	570	440	380	300
-1.0 m	kg	*2,070	*2,070	1,130	830	570	440	490	380

SK28SR Cab		Long Arm		Bucket: without		Standard weight		Shoe: 300 mm	
		1.0 m		2.0 m		3.0 m		4.0 m	
		At Max. Reach		At Max. Reach		At Max. Reach		At Max. Reach	
Radius		Radius		Radius		Radius		Radius	
B									
3.0 m	kg							420	330
2.0 m	kg					640	500	390	300
1.0 m	kg					590	450	370	290
G. L.	kg			1,060	770	550	420	360	270
-1.0 m	kg	*1,650	*1,650	1,070	770	540	410	400	310
-2.0 m	kg			1,130	830			780	590

SK30SR Cab		Standard Arm		Bucket: without		Standard weight		Shoe: 300 mm	
		1.0 m		2.0 m		3.0 m		4.0 m	
		At Max. Reach		At Max. Reach		At Max. Reach		At Max. Reach	
Radius		Radius		Radius		Radius		Radius	
B									
4.0 m	kg					800	640		
3.0 m	kg							760	610
2.0 m	kg							500	390
1.0 m	kg					770	600	480	380
G. L.	kg					710	550	460	360
-1.0 m	kg			1,300	950	680	520	450	350
-2.0 m	kg	*2,050	*2,050	1,320	960	680	520	490	380

SK30SR Cab		Long Arm		Bucket: without		Standard weight		Shoe: 300 mm	
		1.0 m		2.0 m		3.0 m		4.0 m	
		At Max. Reach		At Max. Reach		At Max. Reach		At Max. Reach	
Radius		Radius		Radius		Radius		Radius	
B									
4.0 m	kg							610	490
3.0 m	kg							500	390
2.0 m	kg					780	610	480	380
1.0 m	kg					710	550	460	360
G. L.	kg			1,280	930	670	510	440	340
-1.0 m	kg	*1,660	*1,660	1,290	940	660	500	440	340
-2.0 m	kg			1,340	980	690	530	640	500

SK35SR Cab		Standard Arm		Bucket: without		Standard weight		Shoe: 300 mm	
		1.0 m		2.0 m		3.0 m		4.0 m	
		At Max. Reach		At Max. Reach		At Max. Reach		At Max. Reach	
Radius		Radius		Radius		Radius		Radius	
B									
4.0 m	kg							*730	*730
3.0 m	kg							610	570
2.0 m	kg					900	860	590	550
1.0 m	kg					860	790	570	530
G. L.	kg			1,590	1,420	830	760	550	510
-1.0 m	kg	*2,290	*2,290	1,610	1,440	830	760	560	520
-2.0 m	kg			*1,330	*1,330			*770	*770

SK35SR Cab		Long Arm		Bucket: without		Standard weight		Shoe: 300 mm	
		1.0 m		2.0 m		3.0 m		4.0 m	
		At Max. Reach		At Max. Reach		At Max. Reach		At Max. Reach	
Radius		Radius		Radius		Radius		Radius	
B									
4.0 m	kg							*640	630
3.0 m	kg							590	570
2.0 m	kg					*770	*770	590	550
1.0 m	kg					870	800	570	530
G. L.	kg			1,570	1,400	820	760	540	510
-1.0 m	kg	*1,870	*1,870	1,580	1,410	810	750	540	500
-2.0 m	kg	*3,080	*3,080	1,620	1,450	840	770	700	650

SK28SR Canopy		Standard Arm		Bucket: without		Standard weight		Shoe: 300 mm	
		1.0 m		2.0 m		3.0 m		4.0 m	
		At Max. Reach		At Max. Reach		At Max. Reach		At Max. Reach	
Radius		Radius		Radius		Radius		Radius	
B									
3.0 m	kg					*620	490		
2.0 m	kg			*1,140	920	590	470	360	290
1.0 m	kg					550	430	350	280
G. L.	kg			1,030	760	530	410		
-1.0 m	kg	*2,070	*2,070	1,050	780	530	410		

SK28SR Canopy		Long Arm		Bucket: without		Standard weight		Shoe: 300 mm	
		1.0 m		2.0 m		3.0 m		4.0 m	
		At Max. Reach		At Max. Reach		At Max. Reach		At Max. Reach	
Radius		Radius		Radius		Radius		Radius	
B									
3.0 m	kg							400	310
2.0 m	kg					600	470	360	280
1.0 m	kg					540	420	340	270
G. L.	kg			980	710	510	390	330	250
-1.0 m	kg	*1,650	*1,650	990	720	500	380		
-2.0 m	kg			1,050	770			730	550

SK30SR Canopy		Standard Arm		Bucket: without		Standard weight		Shoe: 300 mm	
		1.0 m		2.0 m		3.0 m		4.0 m	
		At Max. Reach		At Max. Reach		At Max. Reach		At Max. Reach	
Radius		Radius		Radius		Radius		Radius	
B									
4.0 m	kg					760	610		
3.0 m	kg							730	580
2.0 m	kg							470	370
1.0 m	kg					730	570	460	360
G. L.	kg					670	520	430	340
-1.0 m	kg			1,230	890	640	490	420	330
-2.0 m	kg	*2,050	*2,050	1,250	910	640	490	460	360

SK30SR Canopy		Long Arm		Bucket: without		Standard weight		Shoe: 300 mm	
		1.0 m		2.0 m		3.0 m		4.0 m	
		At Max. Reach		At Max. Reach		At Max. Reach		At Max. Reach	
Radius		Radius		Radius		Radius		Radius	
B									
4.0 m	kg								
3.0 m	kg							580	460
2.0 m	kg							470	380
1.0 m	kg					740	580	460	360
G. L.	kg			1,210	880	630	480	410	320
-1.0 m	kg	*1,660	*1,660	1,220	890	620	470	410	320
-2.0 m	kg			1,270	930	650	500	610	470

SK35SR Canopy		Standard Arm		Bucket: without		Standard weight		Shoe: 300 mm	
		1.0 m		2.0 m		3.0 m		4.0 m	
		At Max. Reach		At Max. Reach		At Max. Reach		At Max. Reach	
Radius		Radius		Radius		Radius		Radius	
B									
4.0 m	kg								
3.0 m	kg							580	540
2.0 m	kg					890	820	560	530
1.0 m	kg					820	760	540	510
G. L.	kg			1,510	1,360	790	730	520	490
-1.0 m	kg	*2,290	*2,290	1,530	1,370	790	730		
-2.0 m	kg			*1,330	*1,330			*770	*770

SK35SR Canopy		Long Arm		Bucket: without		Standard weight		Shoe: 300 mm	
		1.0 m		2.0 m		3.0 m		4.0 m	
		At Max. Reach		At Max. Reach		At Max. Reach		At Max. Reach	
Radius		Radius		Radius		Radius		Radius	
B									
4.0 m	kg							630	600
3.0 m	kg							570	530
2.0 m	kg					*770	*770	590	550
1.0 m	kg					830	770	540	500
G. L.	kg			1,490	1,340	780	720	520	480
-1.0 m	kg	*1,870	*1,870	1,500	1,350	750	710	510	480
-2.0 m	kg	*3,080	*3,080	1,550	1,390	800	740	650	610

Notes:

- Do not attempt to lift or hold any load that is greater than these lift capacities at their specified lift point radius and heights. Weight of all accessories must be deducted from the above lift capacities.
- Lift capacities are based on machine standing on level, firm, and uniform ground. User must make allowance for job conditions such as soft or uneven ground, out of level conditions, side loads, sudden stopping of loads, hazardous conditions, experience of personnel, etc.
- Arm top defined as lift point.

- The above lifting capacities are in compliance with ISO 10567. They do not exceed 87% of hydraulic lifting capacity or 75% of tipping load. Lifting capacities marked with an asterisk (*) are limited by hydraulic capacity rather than tipping load.
- Operator should be fully acquainted with the Operator's and Maintenance Instructions before operating this machine. Rules for safe operation of equipment should be adhered to at all times.
- Lift capacities apply to only machine as originally manufactured and normally equipped by KOBELCO CONSTRUCTION MACHINERY CO., LTD.

Note: This catalog may contain attachments and optional equipment that are not available in your area. And it may contain photographs of machines with specifications that differ from those of machines sold in your area. Please consult your nearest KOBELCO distributor for those items you require.

Due to our policy of continuous product improvements all designs and specifications are subject to change without advance notice.

Copyright by **KOBELCO CONSTRUCTION MACHINERY CO., LTD.** No part of this catalog may be reproduced in any manner without notice.

Kobelco Construction Machinery Europe B.V.

Veluwezoom 15
 1327 AE Almere
 The Netherlands
 www.kobelco-europe.com

Inquiries To: